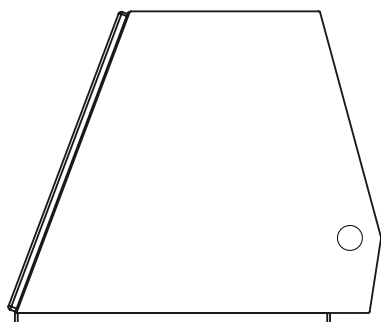
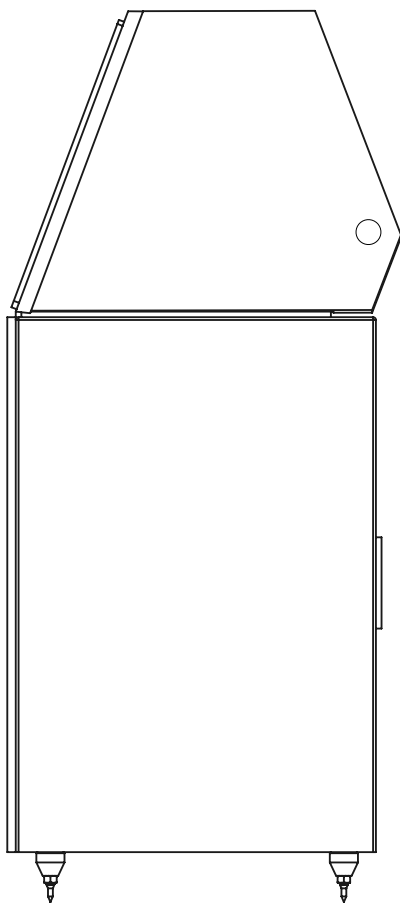


# WATT/Puppy

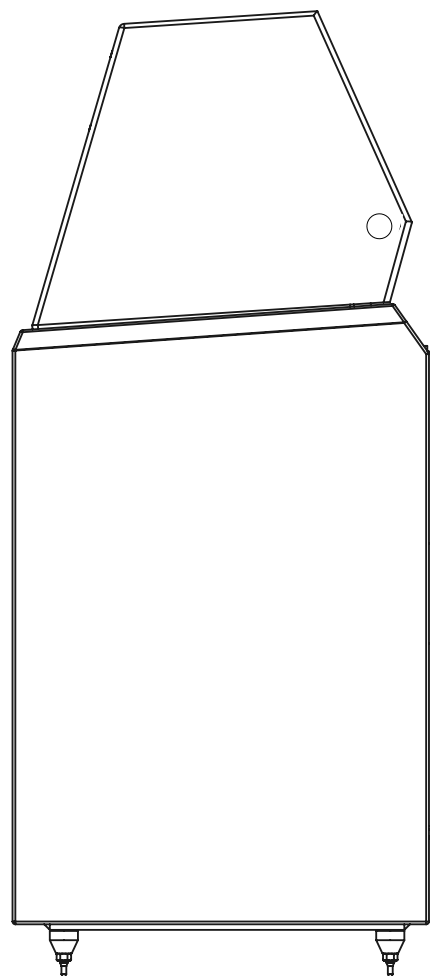
Through the Years



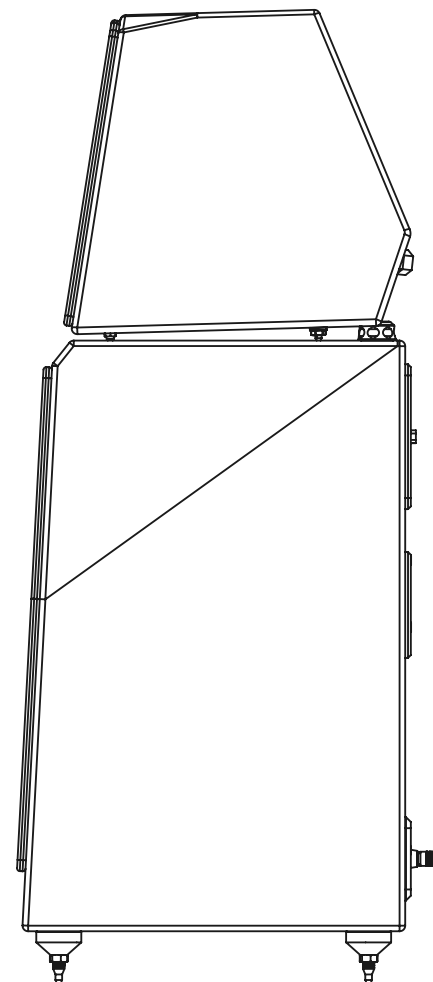
**WATT Series 1**



**WATT/Puppy Series 5.1**



**WATT/Puppy Series 8**



**The WATT/Puppy**

*A quick reference guide*



Released: 1986

Retired: 1989

### Drivers:

Tweeter: One - 1 inch Fiberglass Inverted Dome

Midrange: One - 6.5 inch Doped-Pulp-Cone

### Dimensions:

Height: 13.6 in. (34.6 cm)

Width: 11.1 in. (28.1 cm) (11.9 in. or 38.2 cm with wood panels)

Depth: 16.5 in. (41.9 cm)

Weight: 60 lbs. per channel

### Specifications:

Sensitivity: 91 dB @ 1 Watt @ 1 Meter @ 1 kHz

Minimum Amplification: 30 Watts per channel

Frequency Response: 58Hz – 18 kHz +1,- 3 dB

### Enclosures & Materials:

Cabinet Material: Mineral-Filled Acrylic Based Material

Finish Options: Wood Side Panels or Mirror Gloss Black

The WATT (Wilson Audio Tiny Tot) was originally Dave Wilson's portable monitor, created for his own professional recording use. After experiencing the consequences of having inadequate monitors on-site at a recording session, Dave later recounted the experience: "The recording was completely unacceptable. It was at that point in time that I realized if I was going to continue recording, continue my efforts to capture the actual sound of the live event, I needed a portable monitor that spoke the same language as the WAMM." Without intending to do so, Dave had designed a product that produced a strong aspirational desire. While his WAMM demonstrations produced a similar feeling for many listeners, the feasibility of actually purchasing a pair was often well beyond the means of the potential buyer. The WATT was affordable in this context.



# WATT/Puppy<sup>®</sup> Series 2/1

Released: 1989

Retired: 1991

## Drivers:

Tweeter: One - 1 inch Fiberglass Inverted Dome  
Midrange: One - 6.5 inch Doped-Pulp-Cone  
Woofer: Two - 8 inch Polypropylene Cone

## Dimensions:

• WATT		• Puppy	
Height:	14 in. (35.5 cm)	Height:	24 in. (60.9 cm)
Width:	11.7 in. (29.8 cm)	Width:	12 in. (30.4 cm)
Depth:	17 in. (43.1 cm)	Depth:	16 in. (40.6 cm)
Weight:	60 lbs. per channel	Weight:	154 lbs. per channel

## Specifications:

Sensitivity: 91 dB @ 1 Watt @ 1 Meter @ 1 kHz  
Minimum Amplification: 50 Watts per channel  
Frequency Response: 55Hz – 16 kHz +0,- 3 dB

## Enclosures & Materials:

WATT Cabinet: Mineral-Filled Acrylic Based Material  
Puppy Cabinet: Laminated MDF  
Finish Options: Mirror Gloss Black or White, Wood Side Panels,  
Synthetic Granite, Black Laminate (Puppy only)

The Original Puppy high-speed woofer was introduced as a solution to solve the unpredictable results of pairing the WATT with other commercial subwoofers. In the initial design phase of the Puppy, Dave Wilson concluded that what was needed was an articulate, low distortion, non-resonant, compact agile subwoofer with robust power handling, high sensitivity, and excellent reliability. The Puppy had the option of being bi-wired. The Puppy crossover was permanently sealed in each enclosure and was not designed to be serviceable. Lead ingots were still used as damping elements in the WATT enclosure and reticulated foam grilles were still standard.



# WATT/Puppy<sup>®</sup> Series 3/2

Released: 1991

Retired: 1994

## Drivers:

Tweeter: One - 1 inch Fiberglass Inverted Dome  
Midrange: One - 6.5 inch Doped-Pulp-Cone  
Woofer: Two - 8 inch Polypropylene Cone

## Dimensions:

### • WATT

Height: 13.6 in. (34.5 cm)  
Width: 11.1 in. (28.1 cm)  
Depth: 16.5 in. (41.9 cm)  
Weight: 60 lbs. per channel

### • Puppy

Height: 24 in. (60.9 cm)  
Width: 12 in. (30.4 cm)  
Depth: 16 in. (40.6 cm)  
Weight: 154 lbs. per channel

## Specifications:

Sensitivity: 91 dB @ 1 Watt @ 1 Meter @ 1 kHz  
Minimum Amplification: 30 Watts per channel  
Frequency Response: 58Hz – 18 kHz +1,- 3 dB

## Enclosures & Materials:

WATT Cabinet: Mineral-Filled Acrylic Based Material  
Puppy Cabinet: Laminated HDF, X-Material Bottom  
Finish Options: Wood Side Panels, Synthetic Granite,  
Black Laminate (Puppy only), Paint Colors

In the WATT/Puppy Series 3/2, the crossover and enclosure materials were further refined, retuned, and developed in order to improve system clarity and linearity. The Puppy Series 2 was the first Puppy to incorporate a removable bottom plate made from dissimilar material. Putting X-Material on the bottom of the Puppy's HDF enclosure enhanced the rigidity of the system. Additionally, this was the first series to include "Puppy Paws" spikes as an option. The Puppy port shape was modified to reduce unwanted turbulence.



# WATT/Puppy<sup>®</sup> Series 5

Released: 1994

Retired: 1999

## Drivers:

Tweeter: One - 1 inch Titanium Inverted Dome  
Midrange: One - 7 inch Coated Pulp Cone  
Woofer: Two - 8 inch Polypropylene Cone

## Dimensions:

Height: 40 in. (101.6 cm)  
Width: 12 in. (30.4 cm)  
Depth: 16 in. (40.6 cm)  
Weight: 162 lbs. per channel

## Specifications:

Sensitivity: 91 dB @ 1 Watt @ 1 Meter @ 1 kHz  
Minimum Amplification: 30 Watts per channel  
Frequency Response: 58Hz - 18 kHz +1,- 3 dB

## Enclosures & Materials:

WATT Cabinet: Mineral-Filled Acrylic Based Material  
Puppy Cabinet: Laminated HDF, X-Material Bottom and Baffle  
Finish Options: Wood Side Panels, Synthetic Granite,  
Black Laminate (Puppy only), Paint Colors

The Series 5 had increased dynamic heft to the already startling transparency found in the previous W/P. This was the first W/P to incorporate an aluminum port and an X-Material front baffle. The WATT/Puppy 5.1 was a designation given to Series 5's that upgraded the umbilical cable that connected the Puppy to the WATT. This change was a custom-made Transparent cable that replaced the previously used MIT cable. The titanium inverted dome tweeter and the midrange driver were also newly designed Wilson Audio drivers. The Puppy crossover was potted in its own case and became a serviceable element in the system (first to allow for resistor changes) via the access door on the bottom of the Puppy. This W/P series was the only one to use WBT binding posts, and the connections were no longer configured to be bi-wire or bi-amp.



# WATT/Puppy<sup>®</sup> Series 6

Released: 1999

Retired: 2002

## Drivers:

Tweeter: One - 1 inch Titanium Inverted Dome  
Midrange: One - 7 inch Coated Pulp Cone  
Woofer: Two - 8 inch Polypropylene Cone

## Dimensions:

Height: 40 in. (101.6 cm)  
Width: 12 in. (30.4 cm)  
Depth: 18.5 in. (46.9 cm)  
Weight: 162 lbs. per channel

## Specifications:

Sensitivity: 92 dB @ 1 Watt @ 1 Meter @ 1 kHz  
Minimum Amplification: 7 Watts per channel  
Frequency Response: 21Hz – 21 kHz +0, -3 dB

## Enclosures & Materials:

WATT Cabinet: Mineral-Filled Acrylic Based Material  
Puppy Cabinet: M-Material, X-Material Bottom and Baffle  
Finish Options: WilsonGloss™ Colors: Standard, Special Order and Custom Sample Match

The Series 6 was the introduction of “wings” on top of the Puppy, to better visually integrate the WATT with the Puppy. Two very high-quality, low-frequency drivers were driven in parallel in a rigidly cross-braced, tuned enclosure which quickly dampened spurious resonances in the structure. The grilles were now fabric attached with velcro and had X-Material frames. The WATT/Puppy 6 was the beginning of the use of rear time alignment spikes in this product category. Found on the top of the Puppy was an X-Material plate with recessed hardware that showed time-alignment information. The Puppy tail was hardwired onto the Puppy crossover and no longer interchangeable. There was a change of surround material on the Puppy woofer from foam to rubber. The Series 6 was the last W/P to include lead ingots as a damping material in the WATT.



# WATT/Puppy<sup>®</sup> Series 7

Released: 2002

Retired: 2006

## Drivers:

Tweeter: One - 1 inch Titanium Inverted Dome  
Midrange: One - 7 inch Coated Pulp Cone  
Woofer: Two - 8 inch Polypropylene Cone

## Dimensions:

Height: 40.25 in. (102.2 cm)  
Width: 12.25 in. (31.1 cm)  
Depth: 18.5 in. (46.9)  
Weight: 170 lbs. per channel

## Specifications:

Sensitivity: 92 dB @ 1 Watt @ 1 Meter @ 1 kHz  
Minimum Amplification: 7 Watts per channel  
Frequency Response: 21Hz – 21 kHz +0, -3 dB

## Enclosures & Materials:

Cabinet Material: M-Material, X-Material Bottom and Front Baffle  
Finish Options: WilsonGloss™ Colors: Standard, Special Order and Custom Sample Match

The extraordinary transparency, coherence, and dynamic linearity of the WATT/Puppy Series 7 made it ideal for the sonic evaluation of audio hardware and software. More manufacturers of audio equipment started using this speaker as their reference system to develop their components. This included associated electronic audio equipment, such as amplification systems, passive circuit components, and signal cables. The Puppy woofers were newly designed by Wilson Audio and the Puppy wing's shape changed to cover the gap between the WATT and Puppy more completely. Crossover refinements were included in the upgrade from Series 6 to 7.



# WATT/Puppy<sup>®</sup> Series 8

Released: 2006

Retired: 2011

## Drivers:

Tweeter: One - 1 inch Titanium Inverted Dome

Midrange: One - 7 inch Coated Pulp Cone

Woofer: Two - 8 inch Polypropylene Cone

## Demensions:

Height: 40.2 in. (102.2 cm)

Width: 13 in. (33 cm)

Depth: 18.7 in. (47.5 cm)

Weight: 170 lbs. per channel

## Measurments:

Sensitivity: 92 dB @ 1 Watt @ 1 Meter @ 1 kHz

Minimum Amplification: 7 watts per channel

Frequency Response: 21Hz – 22.5 kHz +0, -3 dB

## Enclosures & Materials:

Cabinet Material: M-Material, X-Material Bottom and Front Baffle

Finish Options: WilsonGloss™ Colors: Standard, Special Order and Custom Sample Match

The use of the highest-performance materials and further refinement in bracing in System 8 resulted in an enclosure that was inherently inert and very low resonant. All of these structural aspects were combined, allowing Wilson Audio to deliver a product that maintained the strictest structural tolerances, durability, and reliability while revealing a remarkable amount of detail and authority in recordings.







Released: 2024

## Drivers:

Tweeter: One - 1 inch Doped Silk Fabric Dome  
Midrange: One - 7 inch Paper Pulp Composite Cone  
Woofer: Two - 8 inch Pulp Cone

## Dimensions:

Height: 41.34 in. (105 cm)  
Width: 12 in. (30.48 cm)  
Depth: 18.69 in. (47.44 cm)  
Weight: 160 lbs. per channel (72.57 kg)

## Specifications:

Sensitivity: 89 dB @ 1 Watt @ 1 Meter @ 1 kHz  
Minimum Amplification: 25 Watts per channel  
Frequency Response: 26 Hz – 30 kHz +/- 3 dB

## Enclosures & Materials:

Cabinet Material: X-Material, S-Material, and V-Material  
Finish Options: WilsonGloss™ Colors: Standard, Upgrade,  
Custom Sample Match, and Pearl

Introducing a remastering to one of, if not the most, iconic loudspeaker designs: The WATT/Puppy. Inspired by the original WATT/Puppy legacy, the development of this instantly recognizable design began with a hopeful vision: to create a WATT/Puppy that would honor the original designer by utilizing current technologies and innovations refined over the course of Wilson Audio's 50 years. Everything except the driver sizes has been upgraded. This includes, but is not limited to: Wilson Audio designed three-way binding posts, enclosure materials (X, S, V-Material), same drivers used in the Sasha V, and a complex crossover topology using all new and custom-made components.



WILSON<sup>®</sup>  
AUDIO